

Componenti Per Cilindri



Gonfiotti Fabio srlu

Via Romana Trav.III, 166/A

55015 Montecarlo (LU)

Tel. 0583 277259 r.a.

Fax. 0583 277265

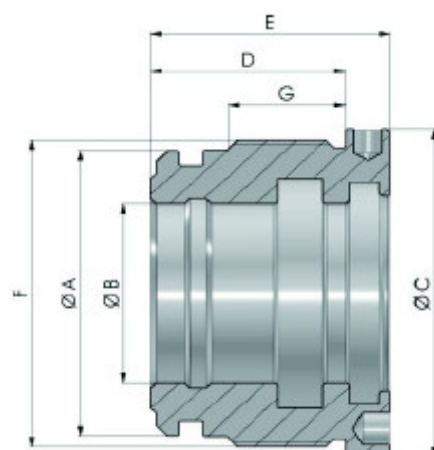
info@gonfiotti.com

www.gonfiotti.com



COD.	A	B	C	D	E	F	G
TGS.025.016	25	16	35	12	30	M28X1.5	12
TGS.030.016	30	16	40	27	33	M34X1.5	15
TGS.032.016	32	16	42	27	33	M36X1.5	15
TGS.032.020	32	20	42	27	33	M36X1.5	15
TGS.035.020	35	20	44	32	40	M39X1.5	19
TGS.035.022	35	22	44	32	40	M39X1.5	19
TGS.040.020	40	20	49	32	40	M44X1.5	19
TGS.040.022	40	22	49	32	40	M44X1.5	19
TGS.040.025	40	25	49	32	40	M44X1.5	19
TGS.040.028	40	28	49	32	40	M44X1.5	19
TGS.045.020	45	20	54	32	40	M49X1.5	19
TGS.045.022	45	22	54	32	40	M49X1.5	19
TGS.045.025	45	25	54	32	40	M49X1.5	19
TGS.050.020	50	20	59	35	43	M54X1.5	22
TGS.050.025	50	25	59	35	43	M54X1.5	22
TGS.050.028	50	28	59	35	43	M54X1.5	22
TGS.050.030	50	30	59	35	43	M54X1.5	22
TGS.050.032	50	32	59	35	43	M54X1.5	22
TGS.050.035	50	35	59	35	43	M54X1.5	22
TGS.055.025	55	25	64	35	43	M60X1.5	21
TGS.055.030	55	30	64	35	43	M60X1.5	21
TGS.055.035	55	35	64	35	43	M60X1.5	21
TGS.060.025	60	25	69	40	50	M64X1.5	27
TGS.060.028	60	28	69	40	50	M64X1.5	27
TGS.060.030	60	30	69	40	50	M64X1.5	27
TGS.060.032	60	32	69	40	50	M64X1.5	27
TGS.060.035	60	35	69	40	50	M64X1.5	27
TGS.060.036	60	36	69	40	50	M64X1.5	27
TGS.060.040	60	40	69	40	50	M64X1.5	27
TGS.063.030	63	30	73	40	50	M68X1.5	25
TGS.063.032	63	32	73	40	50	M68X1.5	25
TGS.063.035	63	35	73	40	50	M68X1.5	25
TGS.063.036	63	36	73	40	50	M68X1.5	25
TGS.063.040	63	40	73	40	50	M68X1.5	25
TGS.065.030	65	30	74	40	50	M69X1.5	25
TGS.065.032	65	32	74	40	50	M69X1.5	25
TGS.065.035	65	35	74	40	50	M69X1.5	25
TGS.065.036	65	36	74	40	50	M69X1.5	25
TGS.065.040	65	40	74	40	50	M69X1.5	25
TGS.065.045	65	45	74	40	50	M69X1.5	25
TGS.070.025	70	25	79	40	50	M74X1.5	27
TGS.070.030	70	30	79	40	50	M74X1.5	27
TGS.070.032	70	32	79	40	50	M74X1.5	27
TGS.070.035	70	35	79	40	50	M74X1.5	27
TGS.070.036	70	36	79	40	50	M74X1.5	27
TGS.070.040	70	40	79	40	50	M74X1.5	27
TGS.070.045	70	45	79	40	50	M74X1.5	27
TGS.070.050	70	50	79	40	50	M74X1.5	27
TGS.075.030	75	30	89	50	60	M80X2	33
TGS.075.035	75	35	89	50	60	M80X2	33
TGS.075.040	75	40	89	50	60	M80X2	33
TGS.075.045	75	45	89	50	60	M80X2	33
TGS.080.035	80	35	92	50	60	M85X2	33
TGS.080.040	80	40	92	50	60	M85X2	33
TGS.080.045	80	45	92	50	60	M85X2	33
TGS.080.050	80	50	92	50	60	M85X2	33
TGS.080.060	80	60	92	50	60	M85X2	33
TGS.080.030	80	30	94	50	60	M85X2	33
TGS.080.035	80	35	94	50	60	M85X2	33
TGS.080.040	80	40	94	50	60	M85X2	33
TGS.080.045	80	45	94	50	60	M85X2	33
TGS.080.050	80	50	94	50	60	M85X2	33
TGS.080.055	80	55	94	50	60	M85X2	33
TGS.080.056	80	56	94	50	60	M8 5X2	33
TGS.080.060	80	60	94	50	60	M85X2	33

TESTATA STANDARD

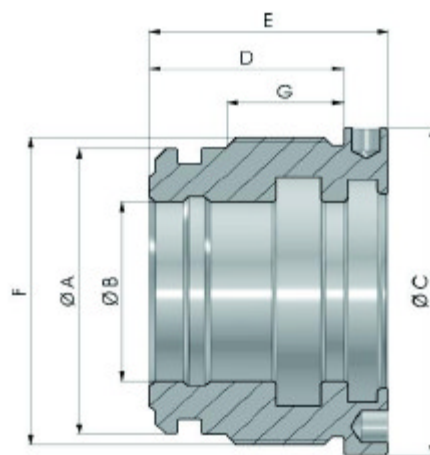


Materiale	
	Alluminio
	Ghisa GG 25



COD.	A	B	C	D	E	F	G
TGS.085.035	85	35	99	50	60	M90X2	33
TGS.085.040	85	40	99	50	60	M90X2	33
TGS.085.045	85	45	99	50	60	M90X2	33
TGS.085.050	85	50	99	50	60	M90X2	33
TGS.090.040	90	40	104	50	60	M95X2	33
TGS.090.045	90	45	104	50	60	M95X2	33
TGS.090.050	90	50	104	50	60	M95X2	33
TGS.090.060	90	60	104	50	60	M95X2	33
TGS.100.040	100	40	114	70	82	M105X2	51
TGS.100.045	100	45	114	70	82	M105X2	51
TGS.100.050	100	50	114	70	82	M105X2	51
TGS.100.055	100	55	114	70	82	M105X2	51
TGS.100.056	100	56	114	70	82	M105X2	51
TGS.100.060	100	60	114	70	82	M105X2	51
TGS.100.063	100	63	114	70	82	M105X2	51
TGS.100.070	100	70	114	70	82	M105X2	51
TGS.110.045	110	45	124	60	72	M115X2	41
TGS.110.050	110	50	124	60	72	M115X2	41
TGS.110.060	110	60	124	70	82	M115X2	51
TGS.110.070	110	70	124	70	82	M115X2	51
TGS.120.050	120	50	139	70	82	M125X2	49
TGS.120.060	120	60	139	70	82	M125X2	49
TGS.120.070	120	70	139	70	82	M125X2	49
TGS.125.060	125	60	144	80	92	M130X2	59
TGS.125.070	125	70	144	80	92	M130X2	59
TGS.140.070	140	70	159	80	92	M145X2	59
TGS.140.080	140	80	159	80	92	M145X2	59
TGS.150.070	150	70	169	90	102	M155X2	69
TGS.150.080	150	80	169	90	102	M155X2	69
TGS.160.080	160	80	179	90	102	M165X2	69
TGS.160.090	160	90	179	90	102	M165X2	69
TGS.160.110	160	110	179	90	102	M165X2	69

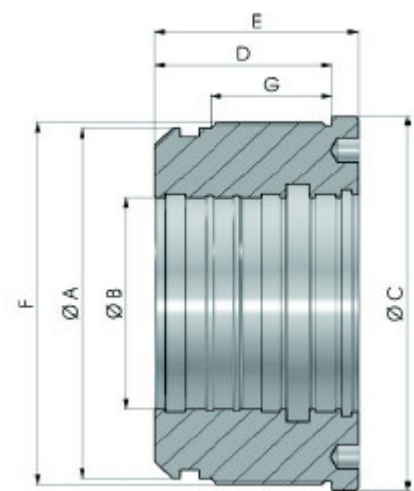
TESTATA STANDARD



Materiale	
	Alluminio
	Ghisa GG 25

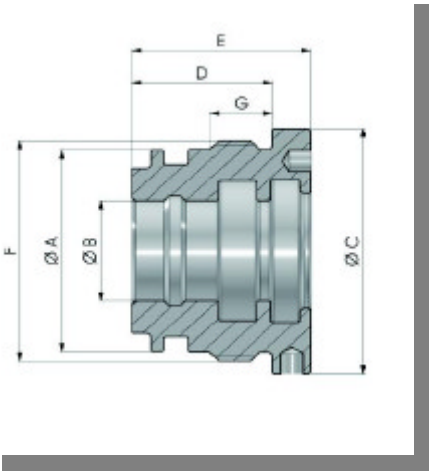
TESTATA STANDARD GROSSI DIAMETRI

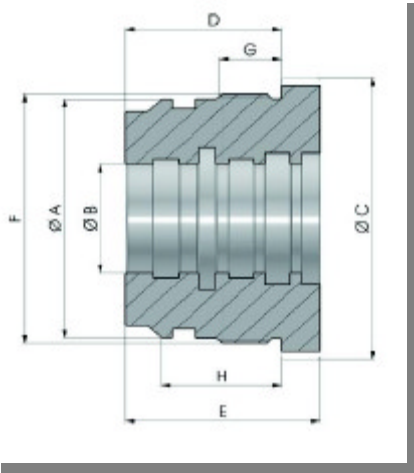
COD.	A	B	C	D	E	F	G
TGS.180.100	180	100	209	92	110	M188X2.5	58
TGS.180.120	180	120	209	92	110	M188X2.5	58
TGS.200.090	200	90	219	92	110	M208X2.5	58
TGS.200.100	200	100	219	92	110	M208X2.5	58
TGS.200.120	200	120	219	92	110	M208X2.5	58
TGS.250.120	250	120	268	117	135	M258X2.5	80
TGS.250.150	250	150	268	117	135	M258X2.5	80



Materiale	
	Ghisa GG 25



COD.	A	B	C	D	E	f	G	TESTATA BASSA			
TGL.040.020	40	20	49	26	33	M44X1.5	11				
TGL.040.025	40	25	49	26	33	M44X1.5	11				
TGL.050.025	50	25	59	28	36	M54X1.5	13				
TGL.050.030	50	30	59	28	36	M54X1.5	13				
TGL.060.030	60	30	69	33	41	M64X1.5	16				
TGL.060.035	60	35	69	33	41	M64X1.5	16				
TGL.070.035	70	35	79	33	41	M74X1.5	16				
TGL.070.040	70	40	79	33	41	M74X1.5	16				
TGL.080.040	80	40	92	36	46	M85 X 2	18				
TGL.080.050	80	50	92	36	46	M85 X 2	18				
TGL.100.050	100	50	114	45	55	M105X2	22				
TGL.100.060	100	60	114	45	55	M105X2	22				
Materiale											
Ghisa GG 25											

COD.	A	B	C	D	E	f	G	H	TESTATA PESANTE
TGP.050.025	50	25	64	45	55	M54X1.5	22	38	
TGP.050.030	50	30	64	45	55	M54X1.5	22	38	
TGP.050.035	50	35	64	45	55	M54X1.5	22	38	
TGP.060.030	60	30	74	48	60	M64X1.5	22	38	
TGP.060.035	60	35	74	48	60	M64X1.5	22	38	
TGP.060.040	60	40	74	48	60	M64X1.5	22	38	
TGP.070.040	70	40	84	50	65	M74X1.5	22	40	
TGP.080.045	80	45	94	60	75	M85X2	25	43	
TGP.080.050	80	50	95	60	75	M85X2	25	43	
TGP.090.045	90	45	109	60	75	M95X2	25	46	
TGP.090.050	90	50	109	60	75	M95X2	25	46	
TGP.090.060	90	60	109	60	75	M95X2	25	46	
TGP.100.045	100	45	119	60	75	M105X2	25	46	
TGP.100.050	100	50	119	60	75	M105X2	25	46	
TGP.100.060	100	60	119	60	75	M105X2	25	46	
TGP.110.050	110	50	129	70	85	M115X2	30	52	
TGP.110.060	110	60	129	70	85	M115X2	30	52	
TGP.120.060	120	60	139	70	85	M125X2	31	52	
TGP.120.070	120	70	139	70	85	M125X2	31	52	
TGP.120.080	120	80	139	70	85	M125X2	31	52	
TGP.125.070	125	70	144	75	90	M130X2	39	60	
TGP.125.080	125	80	144	75	90	M130X2	39	60	
TGP.140.080	140	80	159	75	90	M145X2	40	61	
TGP.140.090	140	90	159	75	90	M145X2	40	61	
TGP.140.100	140	100	159	75	90	M145X2	40	61	
TGP.150.080	150	80	169	85	100	M155X2	46	68	
TGP.150.090	150	90	169	85	100	M155X2	46	68	
TGP.150.100	150	100	169	85	100	M155X2	46	68	
TGP.160.090	160	90	179	85	100	M165X2	46	68	
TGP.160.100	160	100	179	85	100	M165X2	46	68	
TGP.160.120	160	120	179	85	100	M165X2	46	68	
Materiale									
Acciaio C 45									



COD.	A	B	C	D	E	f	G	TESTATA TUFFANTE		
TGT.030.020	30	20	40	27	57	M34X1.5	15			
TGT.035.025	35	25	45	32	65	M39X1.5	19			
TGT.040.030	40	30	50	32	65	M44X1.5	19			
TGT.045.035	45	35	55	32	65	M49X1.5	19			
TGT.050.040	50	40	60	35	70	M54X1.5	22			
TGT.055.045	55	45	65	35	70	M60X1.5	22			
TGT.060.050	60	50	70	40	75	M64X1.5	22			
TGT.070.060	70	60	80	40	75	M74X1.5	27			
<table border="1"> <tr> <td>Materiale</td> </tr> <tr> <td>Ghisa GG 25</td> </tr> </table>								Materiale	Ghisa GG 25	
Materiale										
Ghisa GG 25										

COD.	A	B	C	D	E	f	G	TESTATA TUFFANTE		
TGT.100.070		70	100	30	90	M90X2				
TGT.105.080	105	80	107	40	95	M96X2				
TGT.140.100		100	138,5	42	157	M124X2				
<table border="1"> <tr> <td>Materiale</td> </tr> <tr> <td>Ghisa GG 25</td> </tr> </table>								Materiale	Ghisa GG 25	
Materiale										
Ghisa GG 25										

COD.	A	B	C	D	E	f	G	TESTATA TUFFANTE tipo H		
THT.040.020		20	40	20	42	M34X1.5	18			
THT.040.025		25	40	20	42	M34X1.5	18			
THT.050.030		30	50	21	46	M44X1.5	19			
THT.050.035		35	50	21	46	M44X1.5	19			
THT.060.040		40	60	30	59	M54X1.5	28			
THT.060.045		45	60	30	59	M54X1.5	28			
THT.070.050		50	70	30	60	M64X1.5	28			
THT.080.060		60	80	30	60	M74X1.5	28			
THT.094.070		70	94	35	70	M85X2	32			
THT.104.080		80	104	40	80	M95X2	36			
THT.114.090		90	114	40	80	M105X2	36			
THT.124.100		100	124	50	100	M115X2	45			
<table border="1"> <tr> <td>Materiale</td> </tr> <tr> <td>Acciaio 11SMn30+NI-TEMPER</td> </tr> </table>									Materiale	Acciaio 11SMn30+NI-TEMPER
Materiale										
Acciaio 11SMn30+NI-TEMPER										



COD.	A	B	C	PISTONE STANDARD	
PGS.030.013	30	13	25		
PGS.032.013	32	13	30		
PGS.032.015	32	15	30		
PGS.035.015	35	15	40		
PGS.040.015	40	15	40		
PGS.045.015	45	15	40		
PGS.050.015	50	15	40		
PGS.050.020	50	20	40		
PGS.050.025	50	25	40		
PGS.055.020	55	20	40		
PGS.060.020	60	20	50		
PGS.060.024	60	24	45		
PGS.060.024.50	60	24	50		
PGS.060.027	60	27	50		
PGS.063.020	63	20	50		
PGS.063.024	63	24	45		
PGS.063.024.50	63	24	50		
PGS.065.020	65	20	50		
PGS.065.024	65	24	45		
PGS.065.024.50	65	24	50		
PGS.070.020	70	20	50		
PGS.070.024	70	24	45		
PGS.070.024.50	70	24	50		
PGS.070.027	70	27	50		
PGS.075.024	75	24	45		
PGS.075.024.50	75	24	50		
PGS.075.027	75	27	50		
PGS.080.024	80	24	45		
PGS.080.024.50	80	24	50		
PGS.080.027	80	27	50		
PGS.080.030	80	30	50		
PGS.085.024	85	24	45		
PGS.080.024	80	24	50		
PGS.085.027	85	27	50		
PGS.090.027	90	27	50		
PGS.090.033	90	33	50		
PGS.100.027	100	27	50		
PGS.100.033	100	33	50		
PGS.110.033	110	33	50		
PGS.110.040	110	40	50		
PGS.120.040	120	40	50		
PGS.125.040	125	40	50		
PGS.140.040	140	40	58		
PGS.150.040	150	40	58		
PGS.160.051	160	51	58		

Materiale
Acciaio 11SMn30 - C45

COD.	A	B	C	D	PISTONE BASSO	
PGB.040.015	40	15	27	5		
PGB.050.021	50	21	30	5		
PGB.060.025	60	25	35	5		
PGB.063.025	63	25	35	5		
PGB.065.025	65	25	35	5		
PGB.070.025	70	25	35	5		
PGB.080.028	80	28	40	6		
PGB.090.035	90	35	40	6		
PGB.100.035	100	35	40	6		
Materiale					Acciaio 11SMn30 - C45	



COD.	A	B	C	Disegno	F	G	PISTONE FILETTATO
PFS.025.010	25	11	25	Dis. 1	M10X1.5	17,5	
PFS.030.012	30	13	25	Dis. 1	M12X1.5	17,5	
PFS.040.016	40	17	40	Dis. 1	M16X1.5	28	
PFS.050.020	50	21	40	Dis. 1	M20X1.5	28	
PFS.060.024	60	25	45	Dis. 1	M24X2	30	
PFS.063.024	63	25	45	Dis. 1	M24X2	30	
PFS.065.024	65	25	45	Dis. 1	M24X2	30	
PFS.070.024	70	25	45	Dis. 1	M24X2	30	
PFS.080.027	80	28	45	Dis. 1	M27X2	30	
PFS.090.033	90	35	50	Dis. 1	M33X2	35	
PFS.100.033	100	35	50	Dis. 1	M33X2	35	
PFS.110.039	110	42	50	Dis. 1	M39X3	35	
PFS.120.042	120	45	50	Dis. 1	M42X3	35	
PFS.125.042	125	45	50	Dis. 1	M42X3	35	
PFS.140.048	140	51	58	Dis. 1	M48X3	40	
PFS.150.048	150	51	58	Dis. 1	M48X3	40	
PFS.150.052	150	54	58	Dis. 1	M52X3	40	
PFS.160.052	160	54	58	Dis. 1	M52X3	40	
PFS.180.080	180	82,1	82	Dis. 2	M80X2	70	
PFS.200.080	200	82,1	82	Dis. 2	M80X2	70	
PFS.250.098	250	101,1	82	Dis. 2	M98X2	70	

Materiale	
	Alluminio
	Acciaio 11SMn30 - C45
	Acciaio C45

COD.	A	B	C	F	G	PISTONE FILETTATO BASSO
PFB.040.016	40	17	27	M16X1.5	19	
PFB.050.020	50	21	30	M20X1.5	21	
PFB.060.024	60	25	35	M24X2	24	
PFB.063.024	63	25	35	M24X2	24	
PFB.065.024	65	25	35	M24X2	24	
PFB.070.024	70	25	35	M24X2	24	
PFB.080.027	80	28	40	M27X2	26	
PFB.090.033	90	35	40	M33X2	26	
PFB.100.033	100	35	40	M33X2	26	

Materiale	
	Acciaio 11SMn30 - C45

COD.	A	B	C	G	H	F	PISTONE FILETTATO PESANTE
PFP.050.020	50	21	40	28	36	M20X1.5	
PFP.060.027	60	30	45	30	41	M27X2	
PFP.070.030	70	40	56	41	50	M30X2	
PFP.080.030	80	40	56	41	50	M30X2	
PFP.090.036	90	38	55	40	64	M36X3	
PFP.090.036.56	90	40	56	41	64	M36X3	
PFP.100.042	100	45	56	41	64	M42X2	
PFP.110.048	110	50	70	55	75	M48X3	
PFP.120.048	120	50	70	55	75	M48X3	
PFP.125.048	125	51	70	55	75	M48X3	
PFP.140.048	140	50	75	57	75	M48X3	
PFP.150.052	150	56	80	60	80	M52X3	
PFP.160.052	160	56	80	60	80	M52X3	

Materiale	
	Acciaio C45



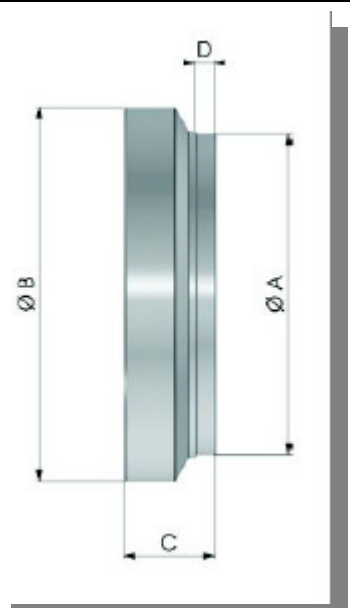
COD.	A	B	C	D	FONDELLO	
FFS.025.035	25	35	7	2		
FFS.030.040	30	40	8	2		
FFS.032.042	32	42	8	2		
FFS.035.045	35	45	10	2		
FFS.040.050	40	50	10	2		
FFS.045.055	45	55	10	2		
FFS.050.060	50	60	10	2		
FFS.055.065	55	65	12	2		
FFS.060.070	60	70	12	2		
FFS.063.073	63	73	12	2		
FFS.065.075	65	75	12	2		
FFS.065.080	65	80	12	2		
FFS.070.080	70	80	12	2		
FFS.070.085	70	85	12	2		
FFS.075.090	75	90	12	2		
FFS.080.090	80	90	12	2		
FFS.080.092	80	92	12	2		
FFS.080.095	80	95	12	2		
FFS.085.100	85	100	15	2		
FFS.090.105	90	105	15	2		
FFS.100.115	100	115	15	2		
FFS.110.125	110	125	15	2		
FFS.110.130	110	130	15	2		
FFS.120.140	120	140	18	2		
FFS.125.145	125	145	18	2		
FFS.140.160	140	160	18	2		
FFS.150.170	150	170	20	2		
FFS.160.180	160	180	20	2		
					Materiale	
					Acciaio S355JR - ASTM A105	

COD.	A	C	F	FONDELLO FILETTATO	
FFS.180.185	180	35	M185X2.5		
FFS.200.205	200	48	M205X2.5		
FFS.250.255	250	48	M255X2.5		
				Materiale	
				Acciaio S355JR - ASTM A105	

COD.	A	B	C	D	R	FONDELLO INTERNO			
FSI.041.027	41	27	12	5	7				
FSI.051.037	51	37	12	5	7				
FSI.061.045	61	45	15	7	8				
FSI.064.048	64	48	15	7	8				
FSI.066.050	66	50	15	7	8				
FSI.071.056	71	56	15	7,5	7,5				
FSI.081.065	81	65	17	9	8				
FSI.091.075	91	75	17	9	8				
FSI.101.081	101	81	20	10	10				
								Materiale	
								Acciaio S355JR	

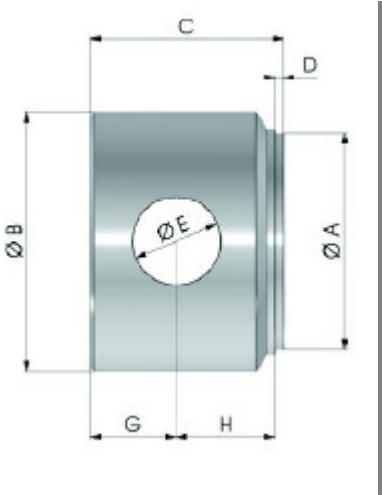


COD.	A	B	C	D	FONDELLO PESANTE		
FSP.050.060	50	60	17	4			
FSP.050.065	50	65	18	4			
FSP.060.070	60	70	19	4			
FSP.060.075	60	75	19	4			
FSP.070.080	70	80	22	4			
FSP.070.085	70	85	22	4			
FSP.075.090	75	90	22	4			
FSP.080.095	80	95	25	4			
FSP.080.100	80	100	25	4			
FSP.085.100	85	100	25	4			
FSP.090.105	90	105	26	4			
FSP.090.110	90	110	26	4			
FSP.100.115	100	115	30	4			
FSP.100.120	100	120	30	4			
FSP.110.125	110	125	31	7			
FSP.110.130	110	130	31	7			
FSP.120.140	120	140	34	7			
FSP.125.145	125	145	35	7			
FSP.140.160	140	160	40	7			
FSP.140.170	140	170	40	7			
FSP.150.170	150	170	42	7			
FSP.160.180	160	180	45	7			
FSP.160.190	160	190	45	10			



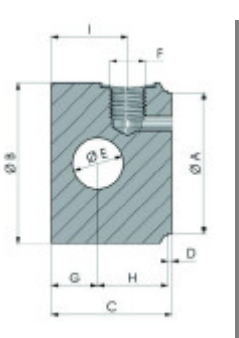
Materiale
Acciaio S355JR - ASTM A105

COD.	A	B	C	D	E	G	H	FONDELLO FORATO
FSF.025.035	25	35	30	2	12,1	12	16	
FSF.032.040	32	40	40	2	16	17	31	
FSF.040.050	40	50	35	2	16,2	15	18	
FSF.040.050.49	40	50	49	2	20,5	19	28	
FSF.050.060	50	60	45	2	20,25	20	23	
FSF.050.060.70	50	60	70	2	25,5	25	43	
FSF.060.070	60	70	50	2	25,25	22,5	25,5	
FSF.060.070.52	60	70	52	2	25,5	25	25	
FSF.063.073	63	73	50	2	25,25	22,5	25,5	
FSF.063.075	63	75	50	2	25,25	22,5	25,5	
FSF.070.080	70	80	50	2	25,25	22,5	25,5	
FSF.070.080.62	70	80	62	2	30,5	25	35	
FSF.080.090	80	90	62	2	30,5	25	35	
FSF.080.095	80	95	60	2	30,25	25	33	
FSF.100.115	100	115	70	2	35,5	30	38	
FSF.100.115.70	100	115	70	2	30,5	34	34	



Materiale
Acciaio S355JR

COD.	A	B	C	D	E	G	H	I	FONDELLO FORATO con ENTRATA
FSD.040.050	40	50	50	2	16,2	15	33	30	
FSD.050.060	50	60	60	2	20,25	20	38	38	
FSD.060.070	60	70	60	2	25,25	23	35	38	
FSD.070.080	70	80	60	2	25,25	23	35	38	
FSD.080.095	80	95	75	2	30,25	25	48	47	
FSD.100.115	100	115	75	2	35,25	30	43	47	



Materiale
Acciaio S355JR